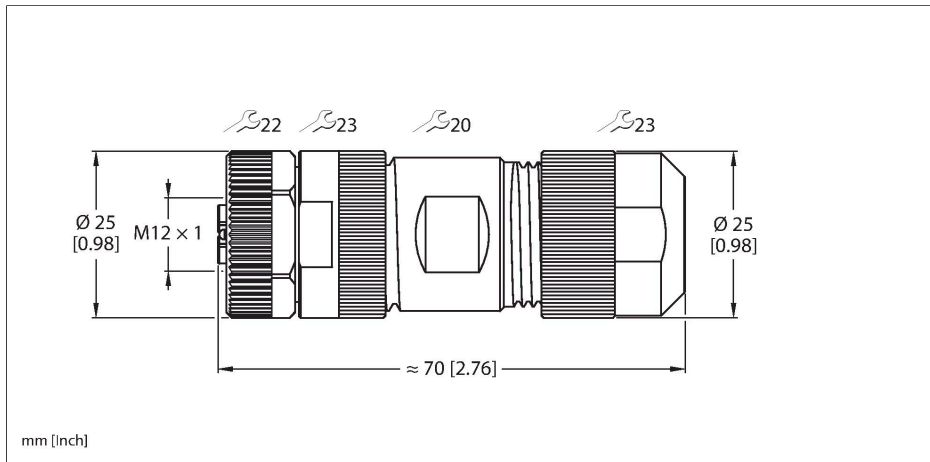


FW-ERKPM0514-PL-S-0813

Field-Wireable Connector – M12 Power Female Connector M12 × 1, Straight



Technical data

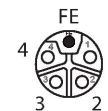
Type	FW-ERKPM0514-PL-S-0813
ID	100008139
Connector A	Female, M12 × 1, Straight, L-coded
Number of Pins	4+FE
Contacts	Brass, CuZn, Gold-plated
Contact carriers	Plastic, PA UL94-V0, Gray
Connector body	Plastic, Black
Coupling nut/screw	Die-cast Zinc, GD-Zn, Nickel-plated
Seal	Plastic, FPM/FKM
External diameter of the cable	8...13 mm
Core cross-section/Clamping ability	0.75...2.5 mm ²
Connection mode	Screw/clamp connection
Mechanical lifespan	> 100 Mating cycles
Protection class	IP67, (screwed together)
Electrical properties at +20 °C	
Rated voltage	50 V _{AC} /63 V _{DC}
Current	16 A
Mechanical and chemical properties	
Ambient temperature range (stationary)	-40...+85 °C
Approvals	cULus recognized

Features

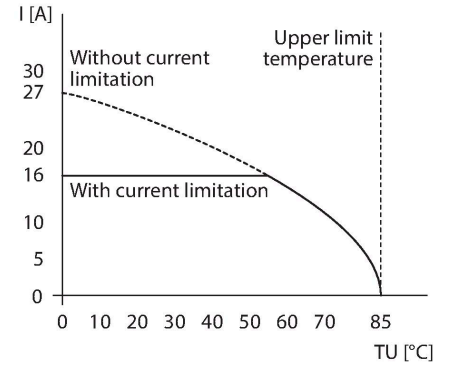


- L-coding
- Metal coupling nut
- Screw-clamp terminal
- 5-pin (4+FE)
- Cable feedthrough: 8.0...13.0 mm
- Terminal capacity:
 - Max. 1.5 mm² or 16 AWG (with cable end sleeve)
 - Max. 2.5 mm² or 14 AWG (without cable end sleeve)

Contact assignment



Derating Curve



Accessories

Dimension drawing	Type	ID	
	RKP56PLB-2/TXG	100006303	Connection cable, M12 female connector, straight, 5-pin, cable length: 2 m, jacket material: PVC, gray
	RSP56PLB-2/TXG	100018910	Connection cable, M12 male connector, straight, 5-pin, cable length: 2 m, jacket material: PVC, gray