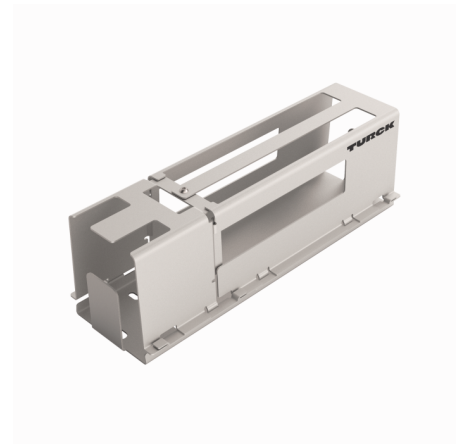
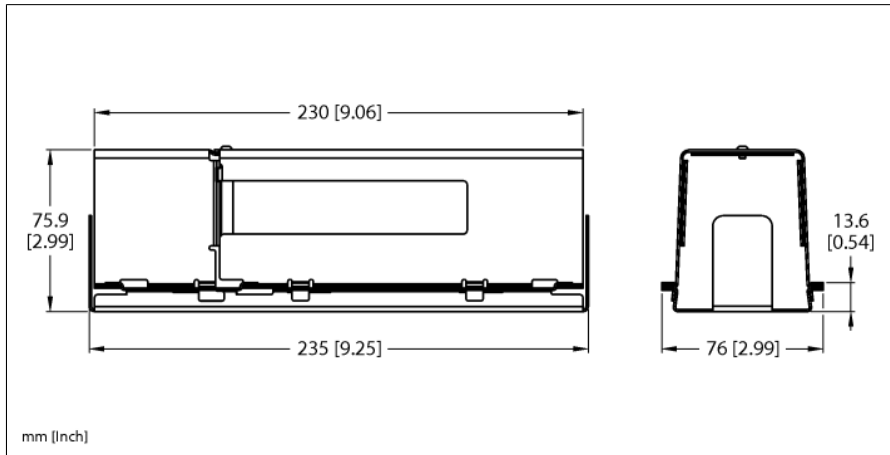


TBxx-L Metal Protective Housing for Ex Applications TB-SG-L



Type	TB-SG-L
ID	100014865

General Information	
Ambient temperature	-40...+70 °C
Housing material	Stainless steel 1 mm

- Installation in ATEX Zone 2/22
- Module types: TBEN-L, TBDP, TBIL-M