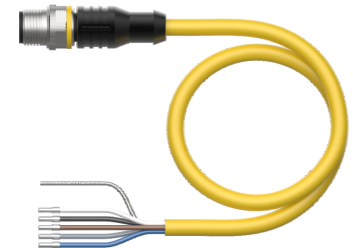
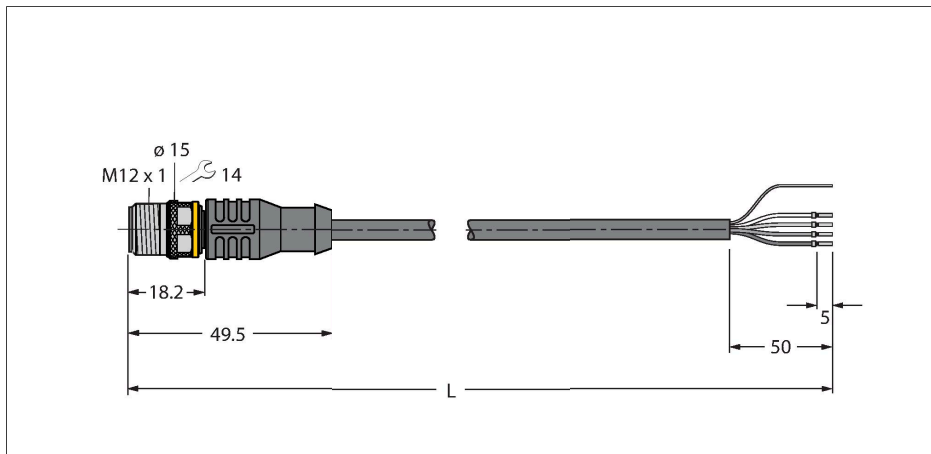


RS4.5T-2/S2500

RFID Cable Standard Version – Connection Cable



Technical data

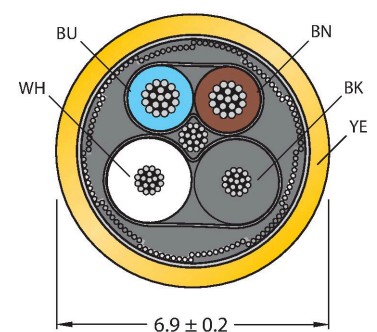
Type	RS4.5T-2/S2500
ID	100028733
Connector A	Male, M12 × 1, A-coded
Number of Pins	5
Contacts	Metal, CuZn, Gold-plated
Contact carriers	Plastic, TPU, Black
Connector body	Plastic, TPU, Black
Coupling nut/screw	Brass, CuZn, Nickel-plated
Tightening torque (range)	0.6 ... 1 Nm (observe max. torque of mating connector!)
Mechanical lifespan	> 100 Mating cycles
Pollution degree	3
Protection class	IP67, Only in screwed condition
Cable	
Cable diameter	Ø 6.9 mm
Cable length	2 m
Cable jacket	PUR, Yellow
Shielding	yes
Data cable cores	
Core cross-section	2 x 0.25 mm ²
Power cable cores	
Core cross-section	2x 0.34 mm ²
Core colors	Power: BN, BU Data: WH, BK
Electrical properties at +20 °C	
Rated voltage	30 V
Current	4 A
DC resistance (loop)	103 Ω/km

Features

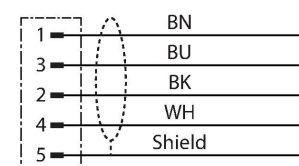


- 4-wire, AWG 24/AWG 22
- Jacket material: PUR, color: yellow
- Free from halogen and LABS
- Shielding: aluminum foil, tinned copper wire
- Jacket diameter: 6.9 mm
- Suitable for drag chain use, oil resistant, highly flexible
- Cable UL Style 20549
- End open
- Cable length: 2.0 m

Cable Cross-Section



Circuit Diagram



Technical data

Nom. impedance	135 Ω
Nom. capacitance	50 pF/m
Mechanical and chemical properties	
Bending radius (flexible use)	$\geq 8 \times \varnothing$
Bending cycles	≥ 1 million
Ambient temperature range (stationary)	-40...+80 °C
Ambient temperature range (In motion)	-25...+80 °C
Other Features	
Qualified for drag chain use	yes
Halogen-free	yes