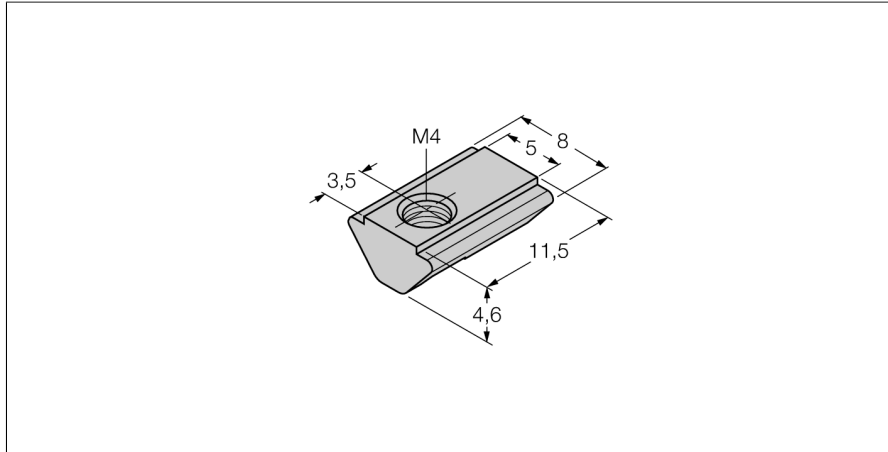


Accessories

Sliding Block

For Linear Position Sensors

MN-M4-Q25



- Sliding block for linear position sensors Q25L
- Material: galvanized steel
- M4 female thread
- Packaging unit: 10 pcs.

Type	MN-M4-Q25
ID	6901025
Design	Accessories for rectangular sensor