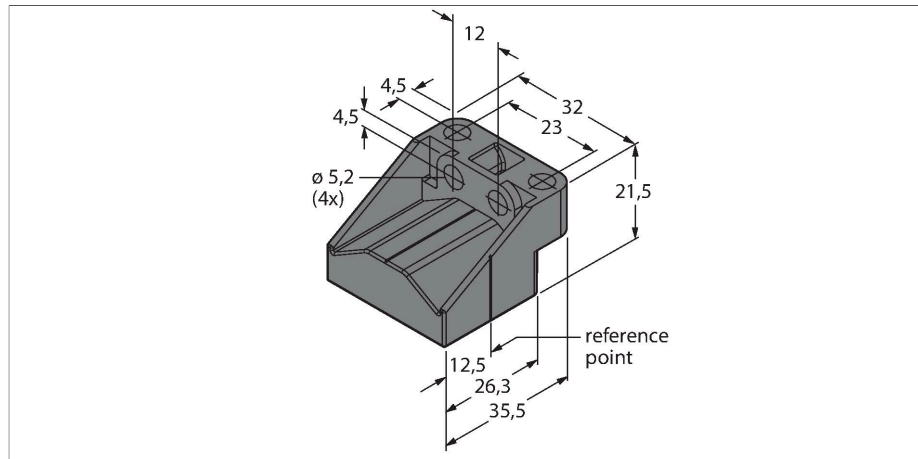


# P2-LI-Q25L

## Accessories – Positioning Element

### For Linear Position Sensors LI-Q25L



#### Features

- Free positioning element
- Installation up to 4mm away from the sensor.

#### Technical data

<b>Type</b>	P2-LI-Q25L
<b>Ident. no.</b>	6901042
<b>Design</b>	P2-Li-Q25L
<b>Housing material</b>	Plastic