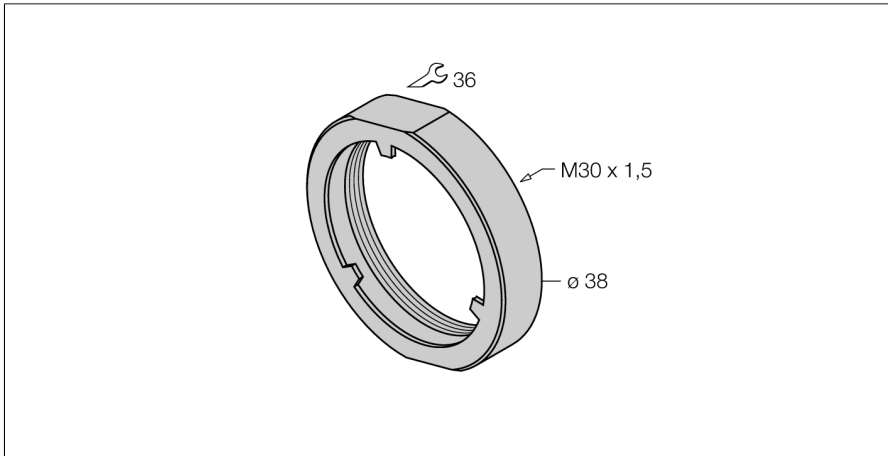


Accessories

screw cap

PN-M30



- Screw cap nut for flush sensors of the uprox+ series
- For the following M30 × 1.5 threaded barrel sensors:
 - BI15U-M30(E)...
 - BI15U-MT30...
 - BI15U-EM30(E)...
 - BI15U-EM30WD...
- Stainless steel A2 1.4305 (AISI 303)

General description

The screw caps are screwed on the head of an uprox®+ flush sensor, protecting this way the active face against damages. Recessed mounting of the sensor head is obtained by the shroud, this way mechanical strains work on the screw cap but not on the sensor.

Type	PN-M30
ID	6905308
Design	Accessories for threaded barrel, M30
Housing material	Stainless steel, 1.4305 (AISI 303)

