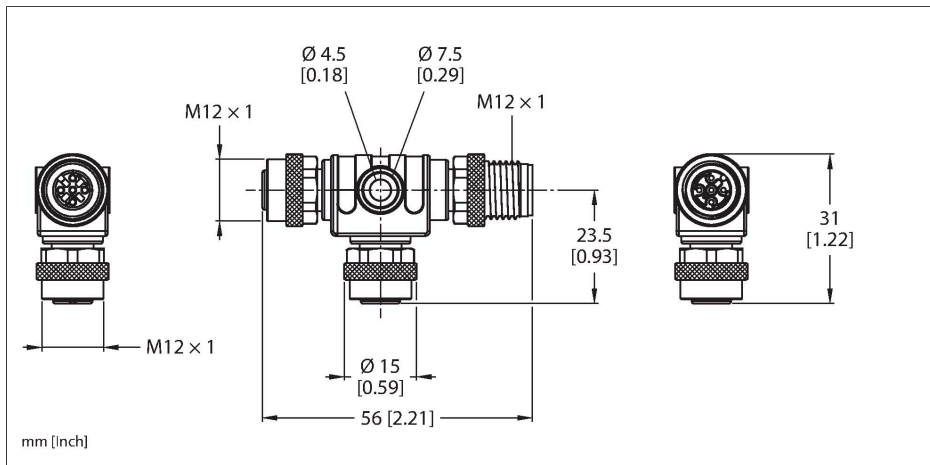


# VT2-FKM5-FKM5-FSM5

## 2-Way Splitter – T-Splitter without Cable



### Technical data

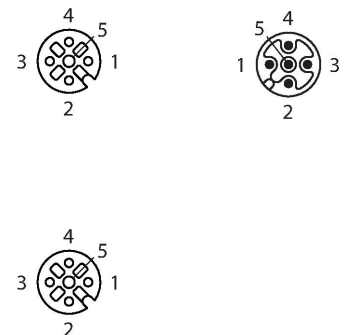
Type	VT2-FKM5-FKM5-FSM5
ID	6930573
Distributed I/O	T-splitter
Housing	Plastic, TPU, Black
Connector A	Male, M12 × 1, A-coded
Number of Pins	5
Contacts	Brass, CuZn, Gold-plated
Contact carriers	Plastic, TPU, Black
Coupling nut/screw	Brass, CuZn, Nickel-plated
Tightening torque (range)	0.8 ... 1 Nm (observe max. torque of mating connector!)
Mechanical lifespan	> 100 Mating cycles
Pollution degree	3
Protection class	IP65, IP67, IP68, Only in screwed condition
Connector B	Female, M12 × 1, A-coded
Number of pins	4
Contacts	Metal, CuZn, Gold-plated
Contact carriers	Plastic, TPU, Black
Coupling nut/retaining screw	Brass, CuZn, Nickel-plated
Seal	Plastic
Mechanical life	> 100 Mating cycles
Pollution degree	3
Protection class	IP65, IP67, IP68
<b>Electrical properties at +20 °C</b>	
Rated voltage	60 V
Current	4 A

### Features

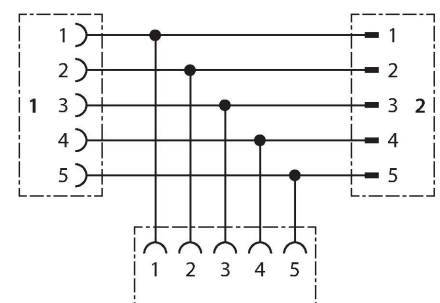


- M12 × 1
- Female connector - male connector - female connector, 5-pin
- RoHS-compliant
- Protection class IP67

### Contact assignment



### Circuit Diagram



## Technical data

Insulation resistance	$\geq 10^8 \Omega$
-----------------------	--------------------

forward resistance	$\leq 5 \text{ m}\Omega$
--------------------	--------------------------

Mechanical and chemical properties	
------------------------------------	--

Ambient temperature range (stationary)	-30...+90 °C
--	--------------